

Nature R360 Rhombus

Cod: RMD 360



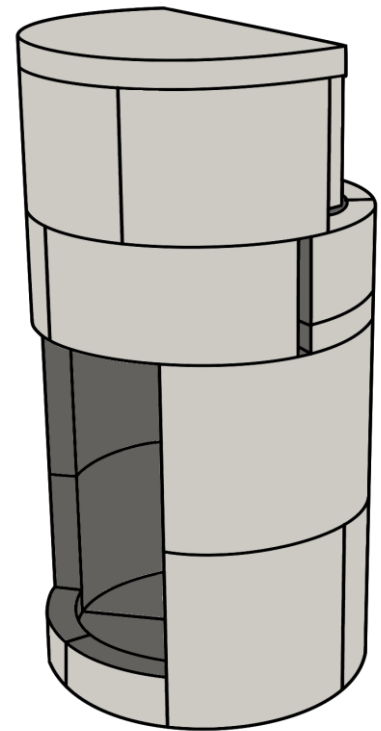
Stove: Modular storage system with hypocaust system.

Features: The fireplace and the recycling flue are in marine basalt lava by 42 mm of thickness and cylindrical in shape all enclosed in a COR-TEN steel shell from 30/10 mm in turn covered in marine basalt lava of 42 mm thickness.

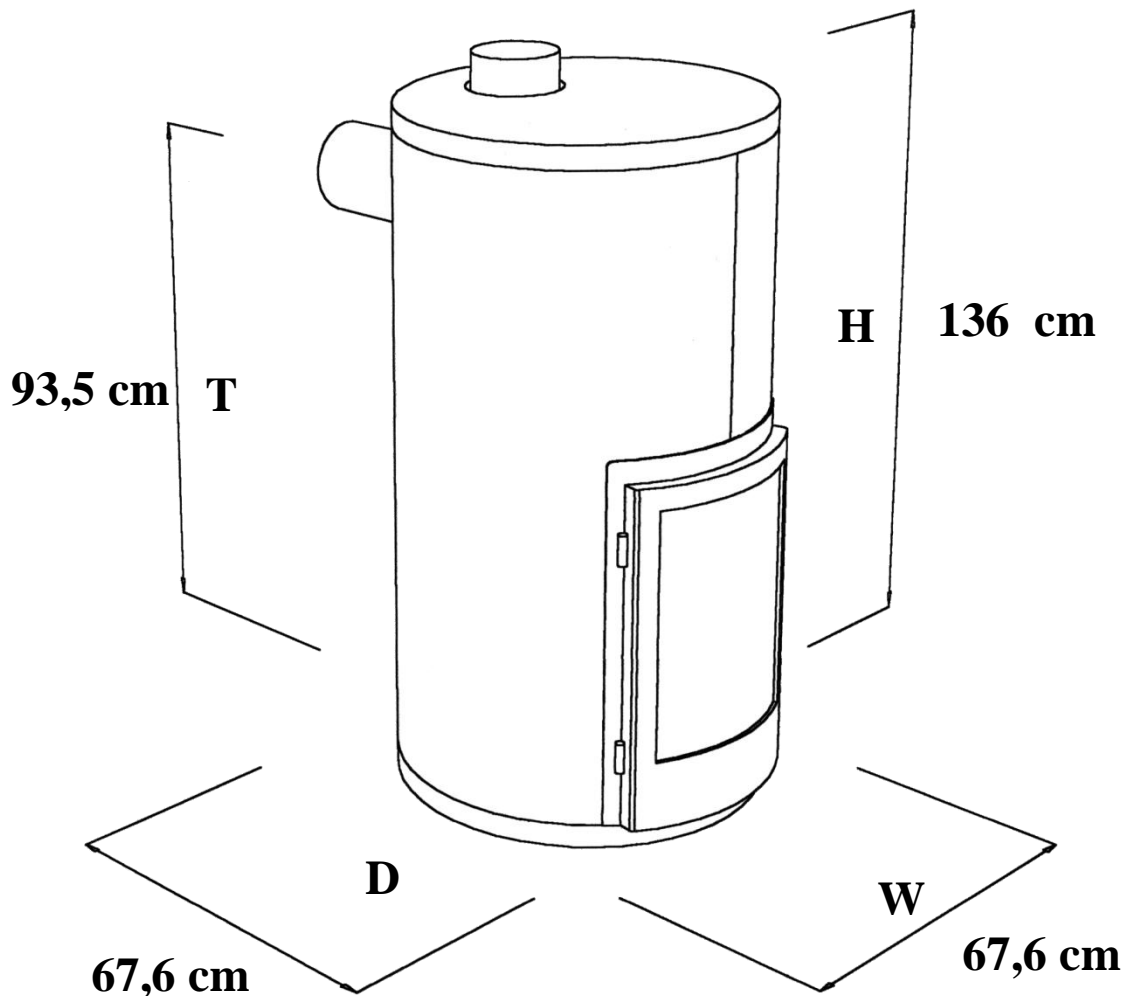
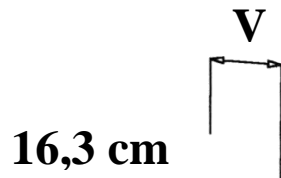
Heating system: Storage stove with radiant heating system. On request, it is possible transform the plant in an natural convection system.

Working system: Wood load every 7 / 9 hours.

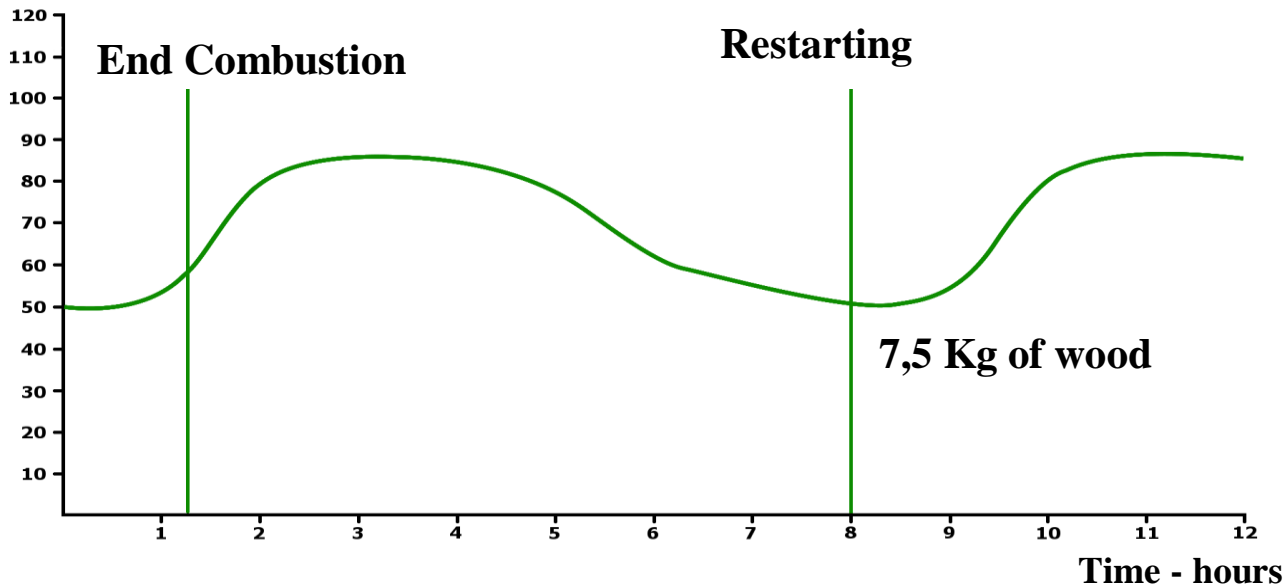
Height – H	136 cm
Width – W	67,6 cm
Depth – D	67,6 cm
Axis height – T	93,5 cm
Drain diameter – Ø	16 cm
Vertical misalignment – V	16,3 cm
Door glass height	47,4 cm
Door height	59,3 cm
Weight	530 Kg
Max wood load	8 Kg
Power with a charge	22 KW
Max power	2,8 KW/h
Charging interval	7/9 h
Combustion performance	88%
Max system performance	73%
m³ heatable	Until 632 m ³



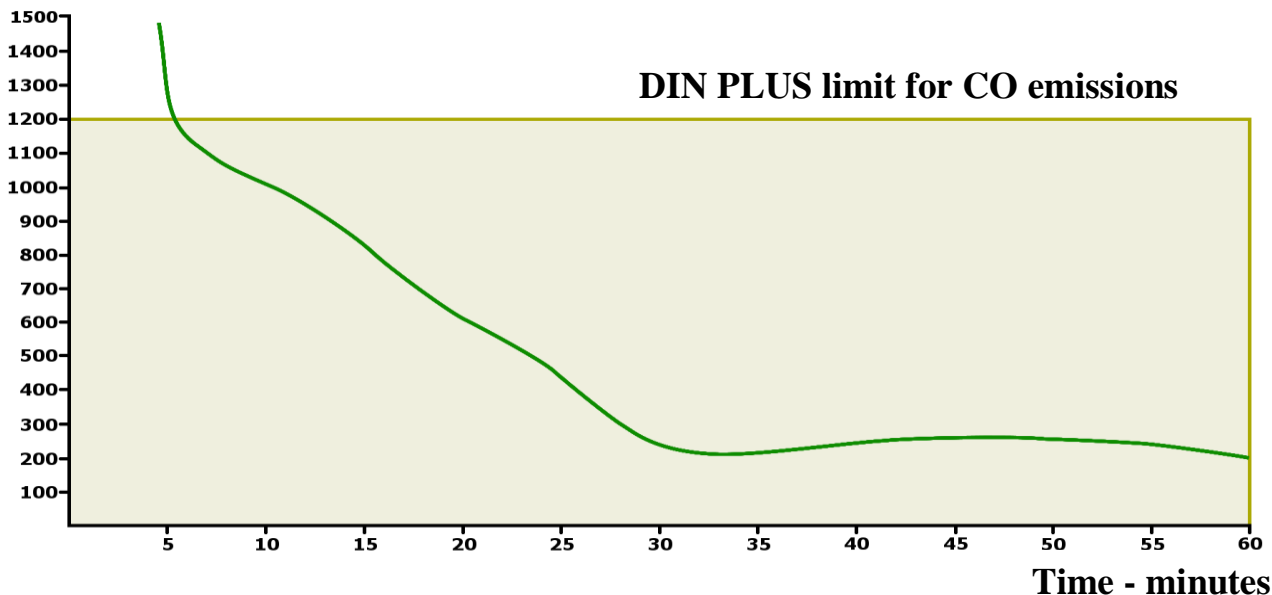
Inner Stove



Stove Temperature



CO Emissions p.p.m.



Combustion efficiency

DIN PLUS limit combustion efficiency

