

# Nature R305 Metal

Cod: **RMS 305**



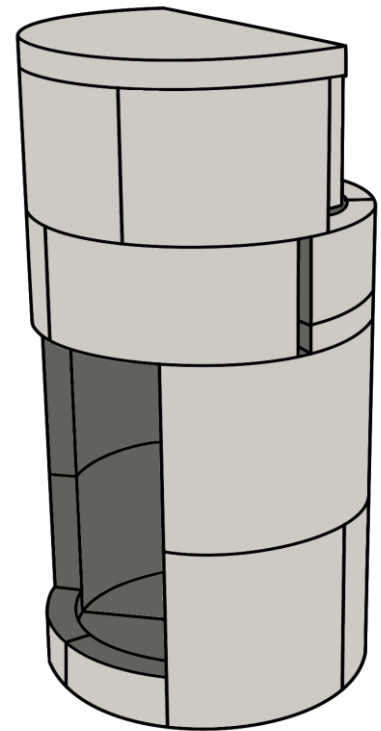
**Stove:** Modular storage system with hypo-caust system.

**Features:** The fireplace and the recycling flue are in marine basalt lava by 42 mm of thickness and cylindrical in shape all enclosed in a COR-TEN steel shell from 30/10 mm in turn covered in marine basalt lava of 42 mm thickness.

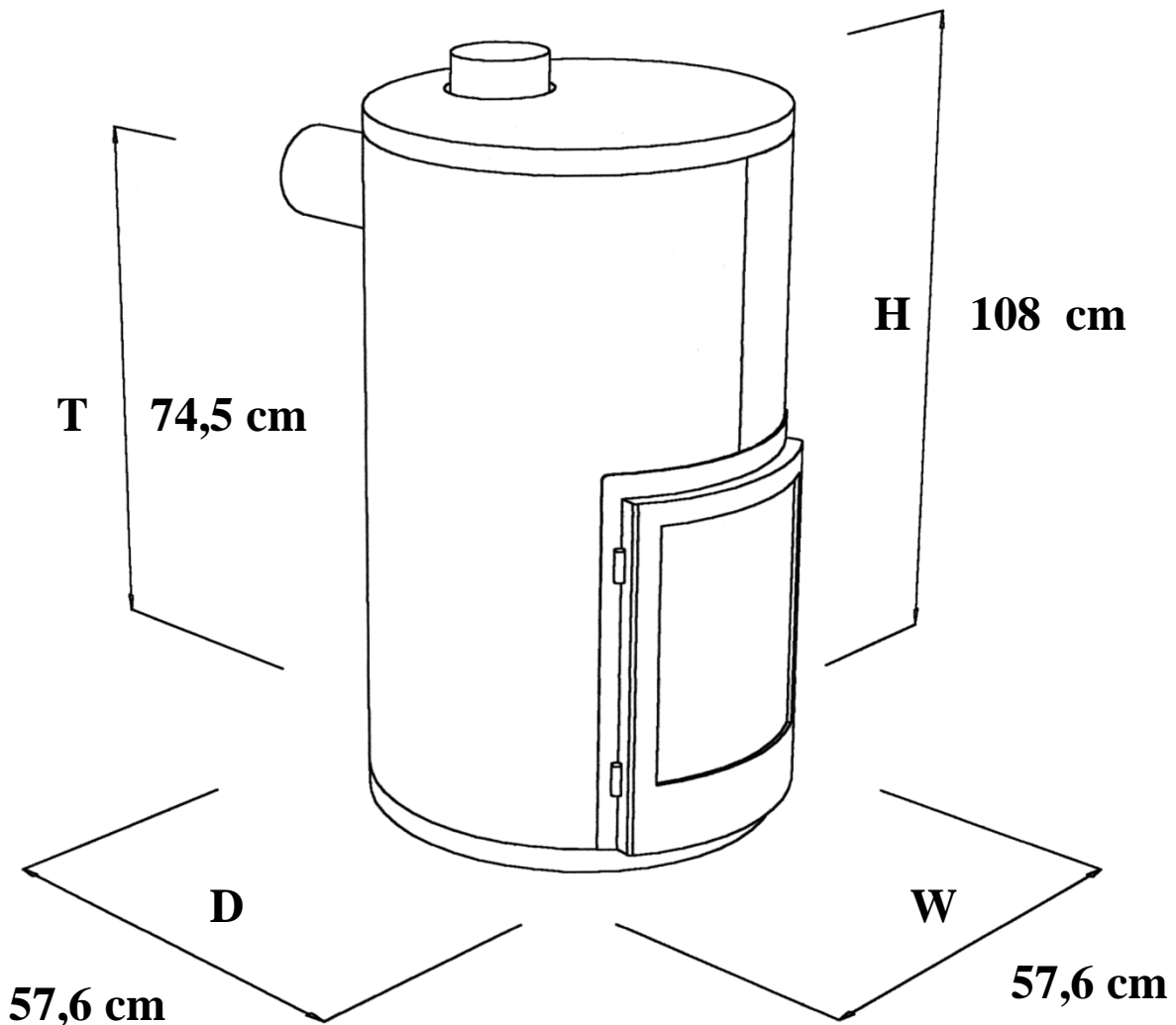
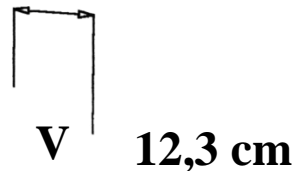
**Heating system:** Storage stove with radiant heating system. On request, it is possible transform the plant in an natural convection system.

**Working system:** Wood load every 6 / 8 hours.

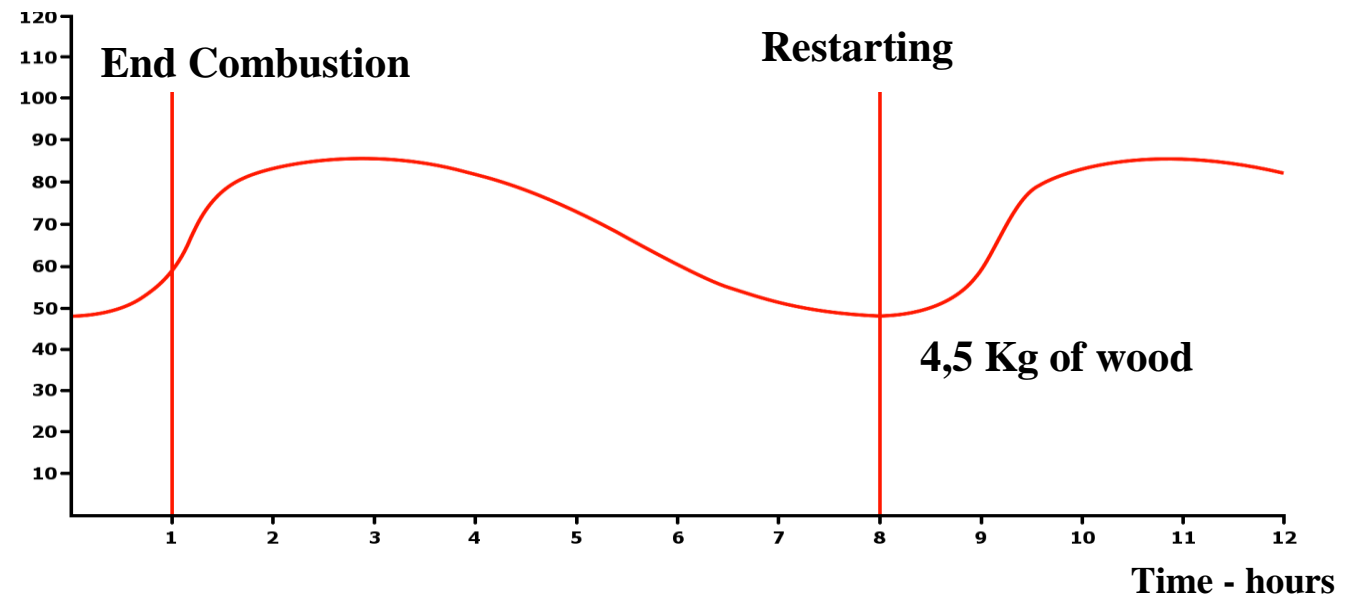
<b>Height – H</b>	108 cm
<b>Width – W</b>	57,6 cm
<b>Depth – D</b>	57,6 cm
<b>Axis height – T</b>	74,5 cm
<b>Drain diameter – Ø</b>	14 cm
<b>Vertical misalignment – V</b>	12,3 cm
<b>Door glass height</b>	29,5 cm
<b>Door height</b>	45 cm
<b>Weight</b>	325 Kg
<b>Max wood load</b>	4,5 Kg
<b>Power with a charge</b>	13 KW
<b>Max power</b>	2,2 KW/h
<b>Charging interval</b>	6 / 8 h
<b>Combustion performance</b>	83%
<b>Max system performance</b>	81%
<b>m<sup>3</sup> heatable</b>	Until 373 m <sup>3</sup>



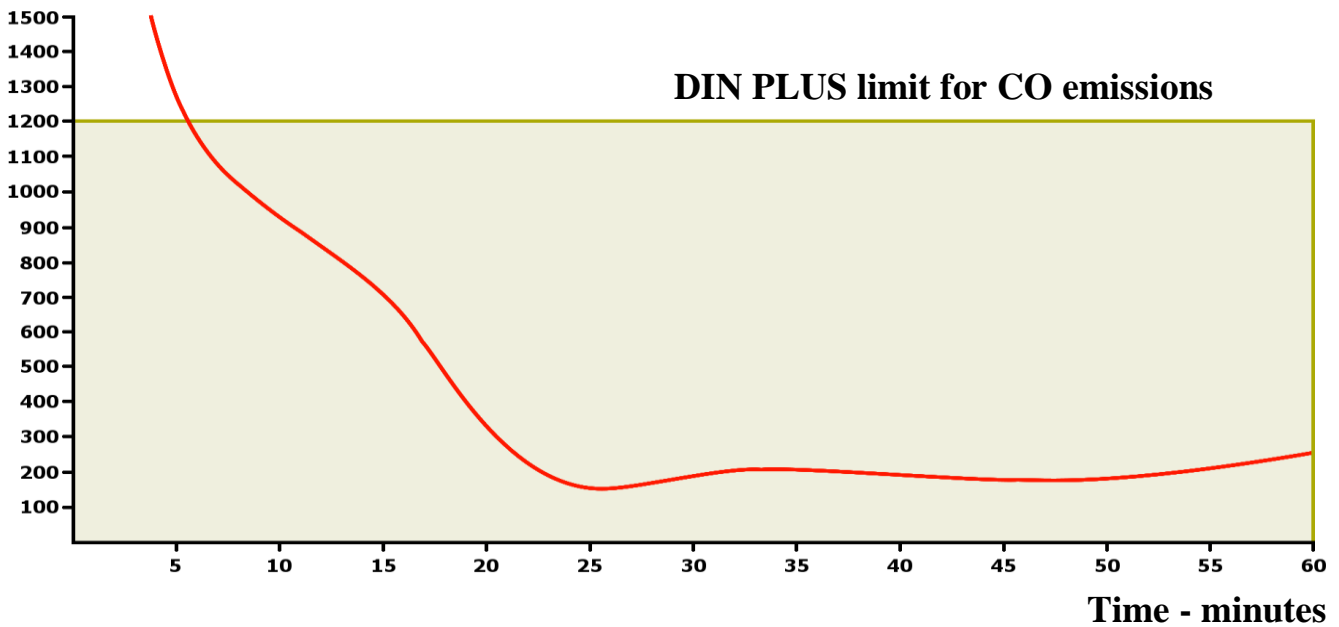
**Inner Stove**



**Stove Temperature**



**CO Emissions p.p.m.**



**Combustion efficiency**

**DIN PLUS limit combustion efficiency**

